

Network Video Recorder

NVR302-E2-P Series



Key Features

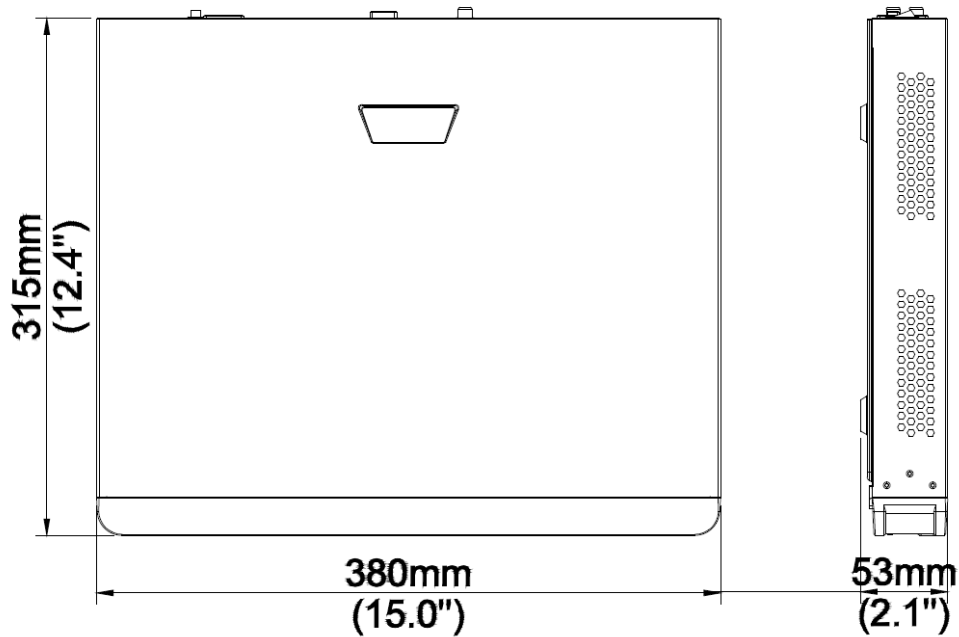
- Support Ultra H.265/H.265/H.264 video formats
- 8/16-channel input
- Plug & Play with 8/16 independent PoE network interfaces
- Supports mainstream cameras of ONVIF conformance(Profile S, Profile G, Profile T) and RTSP protocols
- Support 1-ch HDMI, 1-ch VGA. HDMI up to 4K (3840x2160) resolution
- HDMI and VGA independent outputs provided
- Up to 12 Megapixels resolution recording
- 2 SATA HDDs, Up to 10TB for each HDD
- Various fisheye dewarping modes for live view and playback for both web interface and GUI
- ANR technology to enhance the storage reliability when the network is disconnected
- Support cloud upgrade

Specifications

Model	NVR302-08E2-P8	NVR302-16E2-P16
Video/Audio Input		
IP Video Input	8-ch	16-ch
Two-way Audio Input	1-ch, RCA	
Network		
Incoming Bandwidth	320Mbps	
Outgoing Bandwidth	160Mbps	320Mbps
Remote Users	128	
Protocols	TCP/IP, P2P, UPnP, NTP, DHCP, PPPoE, HTTP, HTTPS, DNS, DDNS, SNMP, SMTP, NFS	
Browser	IE(IE10/11) for Windows Firefox (version 52.0 and above) for Windows Chrome(version 45 and above) for Windows Edge(version 79 and above) for Windows	
Video/Audio Output		
HDMI/VGA Output	VGA: 1920x1080p/60Hz, 1920x1080p/50Hz, 1600x1200/60Hz, 1280x1024/60Hz, 1280x720/60Hz, 1024x768/60Hz HDMI: 4K (3840x2160)/30Hz, 1920x1080p/60Hz, 1920x1080p/50Hz, 1280x1024/60Hz, 1280x720/60Hz, 1024x768/60Hz	
Recording Resolution	12MP/8MP/6MP/5MP/4MP/3MP/1080p/960p/720p/D1/2CIF/CIF	
Audio Output	1-ch, RCA	
Audio Compression	G.711A, G.711U	
Synchronous Playback	8-ch	16-ch
Live View Display	1/4/6/8/9	1/4/6/8/9/16
Corridor Mode Screen	3/4/5/7/9	3/4/5/7/9/10/12/16
Snapshot		
FTP/Schedule/Event Snapshot	16-ch snapshot, up to 1080P resolution	
Decoding		
Decoding Format	Ultra 265, H.265, H.264	
Live View/Playback	12MP/8MP/6MP/5MP/4MP/3MP/1080p/960p/720p/D1/2CIF/CIF	
Capability	1 x 12MP@30, 2 x 4K@30, 5 x 4MP@30, 8 x 1080P@30	1 x 12MP@30, 2 x 4K@30, 5 x 4MP@30, 10 x 1080P@30, 16 x 720P@30
Hard Disk		
SATA	2 SATA interfaces	
Capacity	Up to 10TB for each disk	
eSATA	NA	
Disk Group	Support	
Smart		
VCA Detection by Camera	Face Detection, Face Comparison, Intrusion Detection, Cross Line Detection, Enter Area, Leave Area, Defocus Detection, Scene Change Detection, Object Left Behind, Object Removed, Auto Tracking, Ultra	

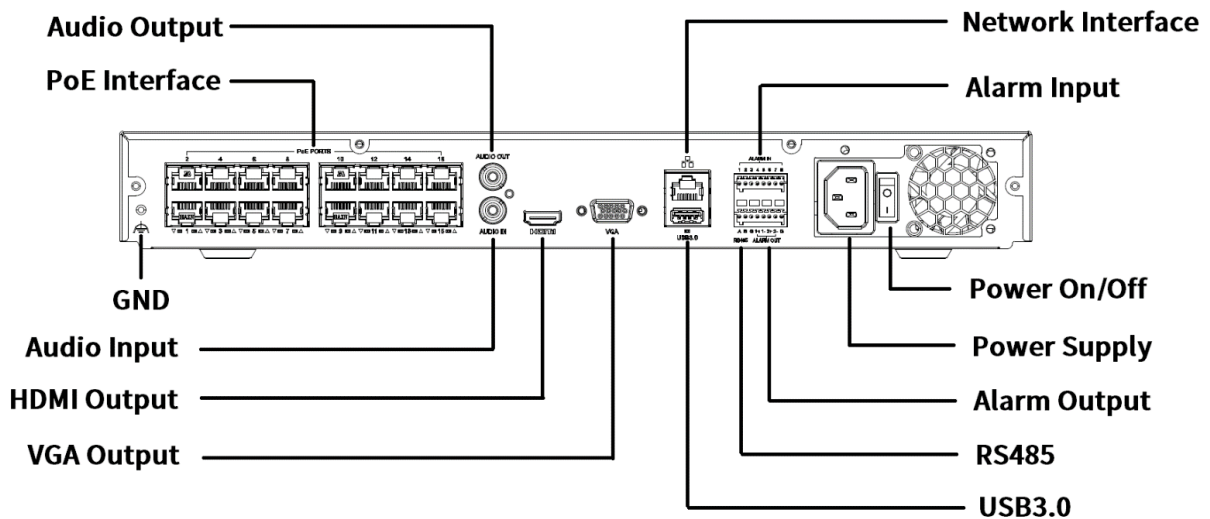
	Motion Detection(UMD)	
VCA Search	Face Search, Face Comparison Search, Behavior Search, Vehicle Search	
People Counting	People Flow Counting, Crowd Density Monitoring	
Smart Intrusion Prevention (SIP), Face Detection, Face comparison, Vehicle Detection, UMD by Camera	Total 8-ch	
General Alarm		
General Alarm	Motion, Tampering, Human Body Detection, Video Loss, Input Alarm, Audio Detection	
Alert Alarm	IP Conflict, Network Disconnected, Disk Offline , Disk Abnormal, Illegal Access, Hard Disk Space Low, Hard Disk Full, Recording/Snapshot Abnormal	
External Interface		
Network Interface	1 RJ45 10M/100M/1000M self-adaptive Ethernet Interfaces	
USB Interface	Front panel: 1 x USB2.0,Rear panel: 1 x USB3.0	
RS232	NA	
RS485	1	
Alarm In	8-ch	
Alarm Out	2-ch	
PoE		
Interface	8 RJ-45 10M/100M self-adaptive Ethernet Interface	16 RJ-45 10M/100M self-adaptive Ethernet Interface
Max Power	Max 30W for single port Max 130W in total	Max 30W for single port Max 240W in total
Supported Standard	IEEE 802.3af/at	
General		
Power Supply	100~240V AC Power Consumption: ≤ 15W (without HDD)	
Working Environment	-10°C~+ 55°C (+14°F~+131°F), Humidity ≤ 90% RH (non-condensing)	
Dimensions (W×D×H)	380mm × 315mm × 53mm (15.0" × 12.4"× 2.1")	
Weight (without HDD)	≤2.6Kg (5.73lb)	
Certification		
Certification	CE, FCC, UL, RoHS, WEEE	
CE	EN 55032: 2015, EN 61000-3-3: 2013, EN IEC 61000-3-2: 2019, EN 55035: 2017	
FCC	Part15 Subpart B, ANSI C63.4	

Dimensions



Rear Panel

Take NVR302-16E2-P16 for example.



Zhejiang Uniview Technologies Co., Ltd.

Building No.10, Wanlun Science Park, Jiangling Road 88, Binjiang District, Hangzhou, Zhejiang, China

Email: overseasbusiness@uniview.com; globalsupport@uniview.com

<http://www.uniview.com>

©2022 Zhejiang Uniview Technologies Co., Ltd. All rights reserved.

* Product specifications and availability are subject to change without notice.