

# Fixed Dome Junction Box

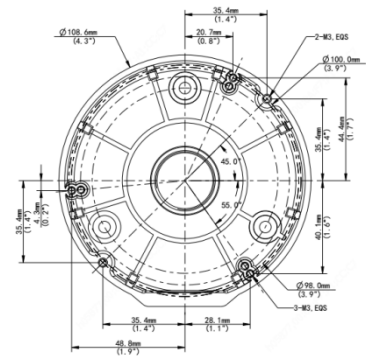
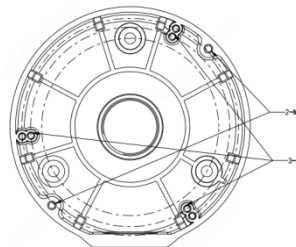
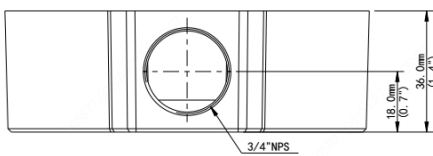
## TR-JB03-G-IN



### Specifications

Bracket	TR-JB03-G-IN
Application	Junction box for IPC32X Series,IPC31x series,IPC354SR3 series,IPC3616 series and IPC361x SE/SS/SB series fixed dome
Dimensions	φ108.6mm*36.0mm (4.3" x1.4")
Weight	0.2kg(0.44lb)
Material	Aluminum alloy

### Dimension



**Zhejiang Uniview Technologies Co.,Ltd.**

South Tower, Building 10, Wanlun Science Park, 88 Jiangling Road, Hangzhou, P.R.China 310051

Email: [overseasbusiness@uniview.com](mailto:overseasbusiness@uniview.com); [globalsupport@uniview.com](mailto:globalsupport@uniview.com)

<http://www.uniview.com>

©2015 Zhejiang Uniview Technologies Co.,Ltd. All rights reserved.

\*Product specifications and availability are subject to change without notice.